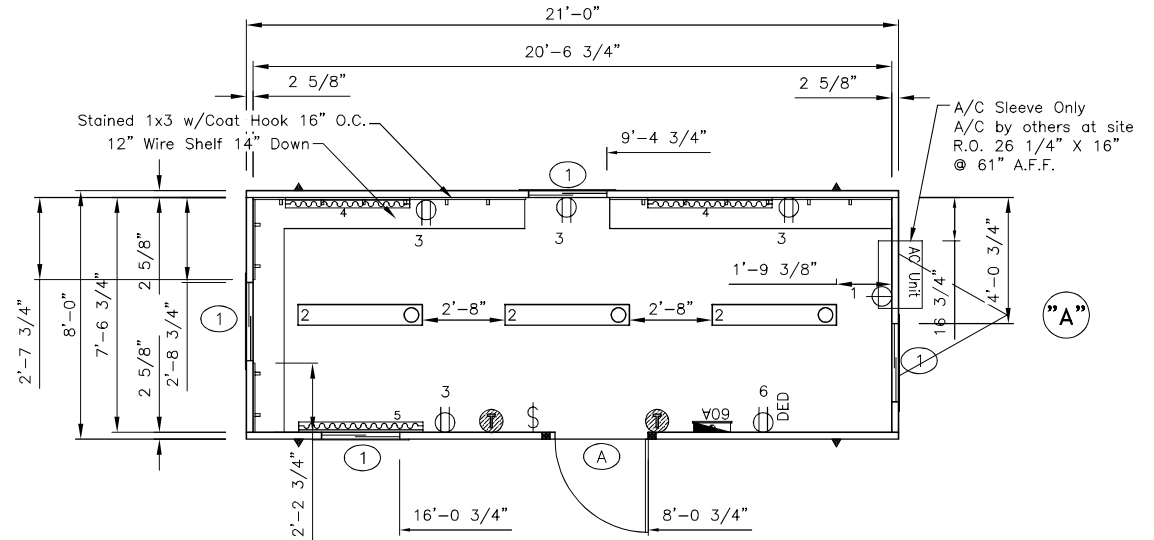


Framing for Exterior Door "A"

Wire Size Chart

Breaker Size	Wire Size	Breaker Size	Wire Size
15A	#14	80A	#4
20A	#12	90A	#3
30A	#10	100A	#3
40A	#8	115A	#2
50A	#8	130A	#1
60A	#6	150A	1/0



APPROVED FOR PRODUCTION

DRAWING LEGEND

SYMBOL	QTY.	DESCRIPTION
▶	2	Over the FLOOR hurricane straps/Tie down locations
▬	1	120/240 electric panel
▬▬▬▬	3	120V Electric 48" baseboard heater (+4" A.F.F.)
☉	2	Thermostat (+54" A.F.F.)
⊕	4	120V ivory duplex grounding type (+18" AFF unless noted)
⊕DED	1	120V ivory duplex grounding type on Dedicated Circuit (+18" AFF unless noted)
⊕	1	120V ivory single A/C Recept (+54" AFF)
⚡	1	120V ivory toggle type (+48" AFF unless noted)
▭	3	120V 4' (2) tube surface mount w/diffuser

Module: A

Area served Main Breaker 168 ft 60A

Panel Voltage 240 Panel Phase 1

CKT#	Breaker size	Description	QTY	Voltage	Wattage per item	Connected Load	Load Factor	Calculated load	Total
1	20 /1	8,000 BTU AC	1	120	940	940	1.00	940	940
2	15 /1	Lights	3	120	66	198	1.25	247.5	247.5
3	15 /1	Recepts	4	120	180	720	1.00	720	720
4	20 /1	Baseboard Heater	2	120	1000	2000	1.25	2500	2500
5	20 /1	Baseboard Heater	1	120	1000	1000	1.25	1250	1250
6	20 /1	Ded. Recept	1	120	180	180	1.00	180	180

Total connected load	5837.50
Actual light load	247.50
TCL - ACL	5590.00
NEC LT load factor	3.5
Total Load	6325.00
Panel load amps	26.35

DOOR & WINDOW SCHEDULE

SYMBOL	QTY.	DESCRIPTION	ROUGH OPENING
A	1	36x80 standard vinyl clad door w/alum. frame and 10x10 safety glazed lite stay chain, knob lock set, weatherstripping, minigutter and threshold	36 x 80 see R.O. Detail
1	4	30x14 horizontal slider w/aluminum mill frame single obscured glass and bug screen	30 1/4" x 14 1/4" up 66 3/4" A.F.F.

Dear John[®] Inc.

ID	Revision	Date
Scale: 1/4" = 1'-0"		
Drawn: BB	Date: 2/20/08	Plot Date: Feb 27, 2008
Serial Numbers:	Drawing Number: 824	DWG File Name: DJT825CHRM.dwg
Approval Numbers: MT 252784		
Title: Dear John Trailers 8 x 25 Change Room (8'-0" x 21'-0")		
Sheet Description: Production Floor /Electrical Plan	Page #: A2	