

Project Name: DJT 824 Office Building width: 8 ft Unit Perimeter: 56 ft
 Project SN: Stock Building length: 20 ft Unit Area: 160 ft

Module:	A	Area served	160 ft	Panel Voltage	240				
Main Breaker	60A	Panel Phase	1						
CKT#	Breaker size	Description	QTY	Voltage	Wattage per item	Connected Load	Load Factor	Calculated load	Total
1	20 /1	8,000 BTU AC	1	120	940	940	1.00	940	940
2	20 /1	Baseboard Heater	2	120	1000	2000	1.25	2500	2500
3	15 /1	Lights (2-tube)	3	120	67.2	201.6	1.25	252	252
4	15 /1	Recepts	5	120	180	900	1.00	900	900
Total connected load									4592.00
Actual light load									252.00
TCL - ACL									4340.00
NEC LT load factor									3.5
Total Load									5040.00
Panel load amps									21.00

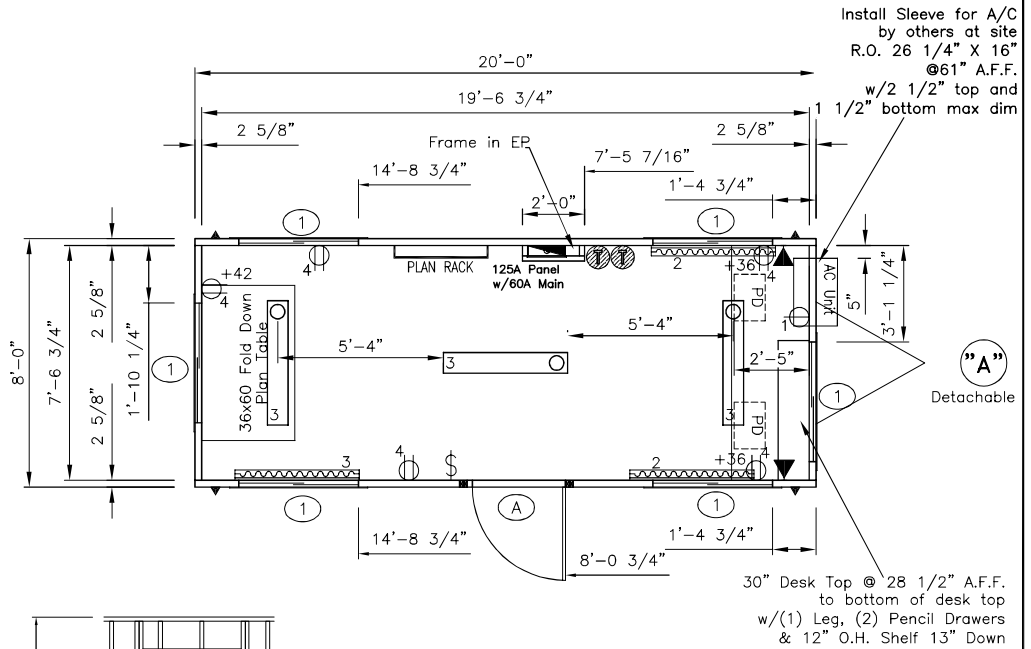
Breaker Size	Wire Size	Breaker Size	Wire Size
15A	#14	80A	#4
20A	#12	90A	#3
30A	#10	100A	#3
40A	#8	115A	#2
50A	#8	130A	#1
60A	#6	150A	1/0

SYMBOL	QTY.	DESCRIPTION
	2	Over the Floor hurricane straps/Tie down locations
	1	120/240 electric panel
	3	120V Electric 48" baseboard heater (+4" A.F.F.)
	2	Thermostat (+54" A.F.F.)
	5	120V ivory duplex grounding type (+18" AFF unless noted)
	1	120V ivory single A/C Recept (+54" AFF)
	2	2x4-jbox w/3/4" conduit thru floor for phone/data (+36" AFF unless noted)
	1	120V ivory toggle type (+48" AFF unless noted)
	3	120V 4' (2) tube surface mount w/diffuser

A 120/240v 1PH 60HZ PANEL
 60A 2-pole breaker
 1 1/2" EMT conduit
 (3) #1 THW feeders
 #6 GRND

Electrical Riser Diagram
 NTS

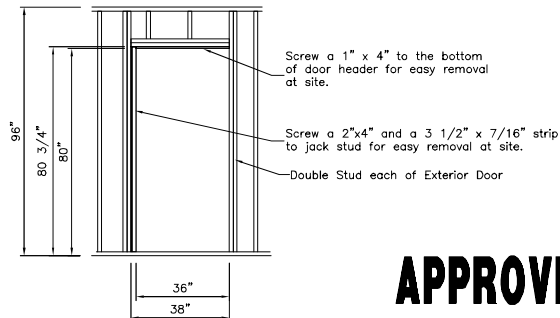
SYMBOL	QTY.	DESCRIPTION	ROUGH OPENING
(A)	1	36x80 standard vinyl clad door w/alum. frame and 10x10 safety glazed lite stay chain, knob lock set, weatherstripping, minigutter and threshold	36 x 80 see R.O. Detail
(1)	6	46x27 horizontal slider w/aluminum mill frame single glass, blinds and bug screen	46 1/4" x 27 1/4" up 41 1/4" A.F.F.



Install Sleeve for A/C by others at site R.O. 26 1/4" X 16" @61" A.F.F. w/2 1/2" top and bottom max dim

"A" Detachable

30" Desk Top @ 28 1/2" A.F.F. to bottom of desk top w/(1) Leg, (2) Pencil Drawers & 12" O.H. Shelf 13" Down



Framing for Exterior Door "A"

APPROVED FOR PRODUCTION

Dear John[®] Inc.

ID	Revision	Date
Scale: 1/4" = 1'-0"	Drawn: BB	Date: 2/20/08
Serial Numbers:	Drawing Number: 725	DWG File Name: DJT824F0.dwg
Approval Numbers: MT 252784	Title: Dear John Trailers 8 x 24 Office (8'-0" x 20'-0")	
Sheet Description: Production Floor /Electrical Plan	Page #: A2	