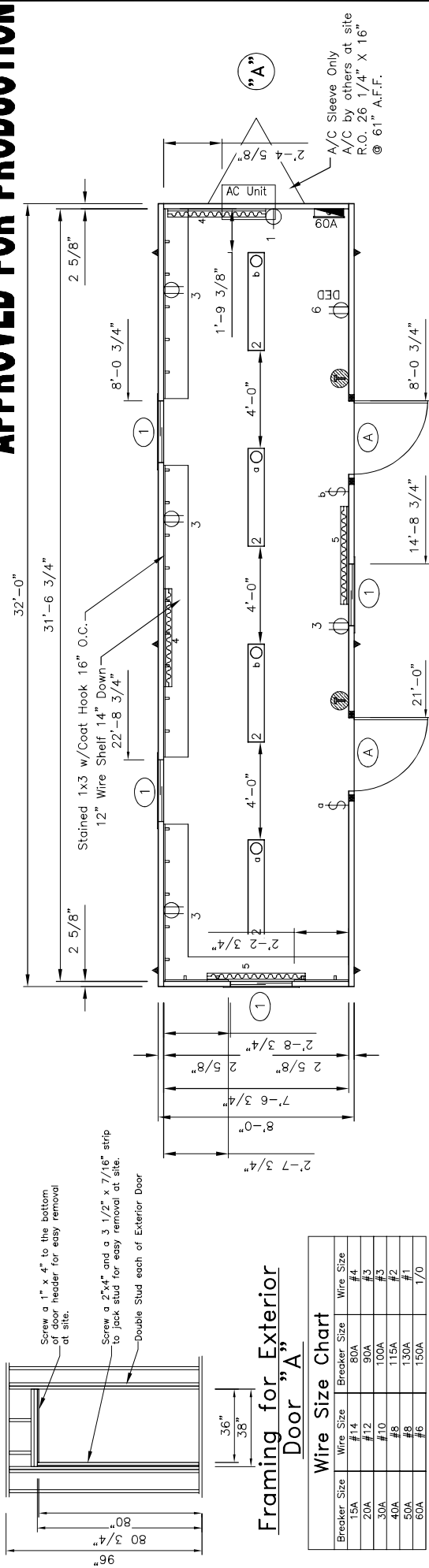


APPROVED FOR PRODUCTION



Framing for Exterior Door "A"

Breaker Size	Wire Size #14	Breaker Size	Wire Size
15A	#14	80A	#4
20A	#12	90A	#3
30A	#10	100A	#3
40A	#8	115A	#2
50A	#8	130A	#1
60A	#6	150A	1/0

DRAWING LEGEND

SYMBOL	QTY.	DESCRIPTION
▲	3	Over the FLOOR hurricane straps/Tie down locations
▬	1	120V/240 electric panel
⊖	4	120V Electric 48" baseboard heater (+4" A.F.F.)
⊕	2	Thermostat (+54" A.F.F.)
⊖	4	120V ivory duplex grounding type (+18" AFF unless noted)
⊖/DED	1	120V ivory duplex grounding type on Dedicated Circuit (+18" AFF unless noted)
⊖	1	120V ivory single A/C Recept (+54" AFF)
⊖/T	2	120V ivory toggle type (+48" AFF unless noted)
⊖	4	120V 4" (2) tube surface mount w/diffuser

DOOR & WINDOW SCHEDULE

SYMBOL	QTY.	DESCRIPTION
⊖	2	36x80 standard vinyl clad door w/alum. frame and 10x10 safety glazed lite stay chain, knob lock set, weatherstripping, miniguiter and threshold
⊖	4	30x14 horizontal slider w/aluminum mill frame single obscured glass and bug screen

Dear John Inc.
 2224 Bloomingdale Drive
 Bristol, Indiana 46507
 PH: (574) 848-7300
 FX: (574) 848-1950
C & B
 MODULAR, INC.

Module:	A	Area served	256 ft	60A	Main Breaker	240	Panel Voltage	1	
CKT#	Breaker size	Description	QTY	Voltage	Wattage per lite	Connected Load	Load Factor	Calculated load	Total
1	20 T	18,000 BTU AC	1	120	940	940	1.00	940	940
2	15 T	Lights	4	120	68	264	1.25	330	330
3	15 T	Recept	4	120	180	720	1.00	720	720
4	20 T	Baseboard Heater	2	120	1000	2000	1.25	2500	2500
5	20 T	Baseboard Heater	2	120	1000	2000	1.25	2500	2500
6	20 T	Deet. Recept	1	120	180	180	1.00	180	180
						Total connected load		7170.00	
						Actual light load		330.00	
						TCL-ACL		6940.00	
						NEC LT load factor		3.5	1120.00
						Total Load		7960.00	
						Panel load amps		33.17	

ID	Revision	Date
Scale:	1/4" = 1'-0"	Drawn: BB
Serial Numbers:	612	Drawing Number:
Approval Numbers:	MT 252784	DWG File Name:
Date:	5/22/07	Plot Date:
		Feb 27, 2008
Title:		
Dear John Trailers		
8 X 36 Change Room (8'-0" x 32'-0")		
Sheet Description:		
Production Floor /Electrical Plan		
Page #:		A2