

Framing for Exterior Door "A"

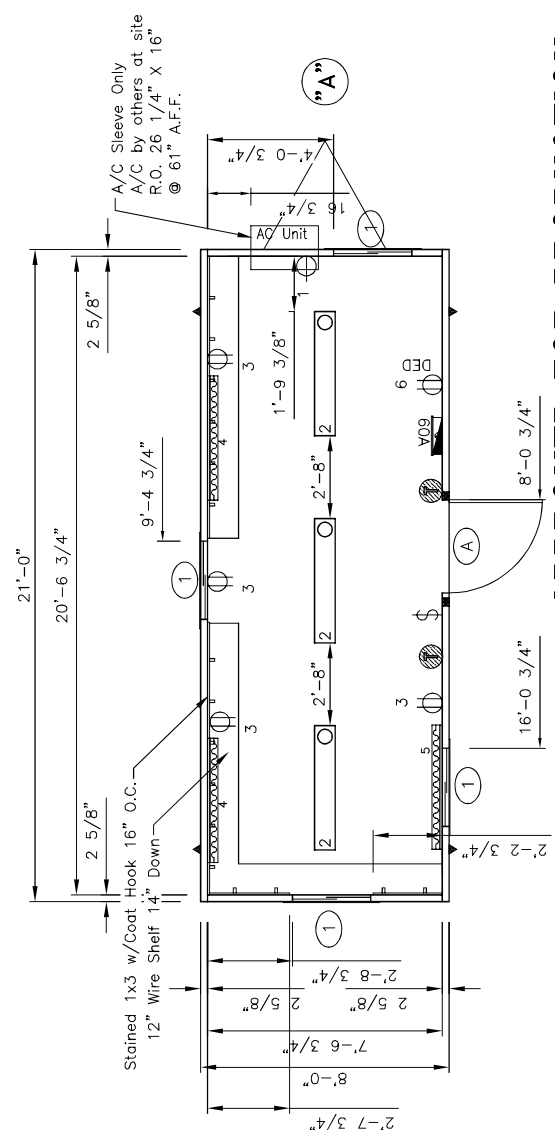
Breaker Size	Wire Size	Breaker Size	Wire Size
15A	#14	80A	#4
20A	#12	90A	#3
30A	#10	100A	#3
40A	#8	115A	#2
50A	#6	130A	#1
60A	#6	150A	1/0

DRAWING LEGEND

SYMBOL	QTY.	DESCRIPTION
▲	2	Over the FLOOR hurricane straps/Tie down locations
▬	1	120V/240 electric panel
▬	3	120V Electric 48" baseboard heater (+4" A.F.F.)
⊕	2	Thermostat (+54" A.F.F.)
⊕	4	120V ivory duplex grounding type on Dedicated Circuit (+18" AFF unless noted)
⊕	1	120V ivory duplex grounding type on Dedicated Circuit (+18" AFF unless noted)
⊕	1	120V ivory single A/C Recept (+54" AFF)
⊕	1	120V ivory toggle type (+48" AFF unless noted)
⊕	3	120V 4" (2) tube surface mount w/diffuser

DOOR & WINDOW SCHEDULE

SYMBOL	QTY.	DESCRIPTION
⊕	1	36x80 standard vinyl clad door w/alum. frame and 10x10 safety glazed lite stay chain, knob lock set, weatherstripping, minigutter and threshold see R.O. Detail
⊕	4	30x14 horizontal slider w/aluminum mill frame single obscured glass and bug screen up 66 3/4" A.F.F.



APPROVED FOR PRODUCTION

Module:	A	Area served Main Breaker	168 ft	Wattage per item	540	Panel Voltage	240	Panel Phases	1	Calculated load	Total
CK#	1	20 T. 15,000 BTU AC	1	120	940	120	120	120	120	940	940
	2	15 T. Lights	3	120	180	120	120	120	120	247.5	247.5
	3	15 T. Recept	2	120	180	120	120	120	120	280	280
	4	20 T. Baseboard Heater	2	120	1000	120	120	120	120	2000	2000
	5	20 T. Baseboard Heater	1	120	1000	120	120	120	120	1000	1000
	6	20 T. Dect. Recept	1	120	180	120	120	120	120	180	180
Total connected load											5837.50
Actual light load											247.50
NEC-ACL											5990.00
NEC LT load factor											3.5
Total Load											6525.00
Panel load amps											28.35

Dear John[®] Inc.
 2224 Bloomingdale Drive
 Bristol, Indiana 46507
 PH: (574) 848-7300
 FX: (574) 848-1950
 C & B
 MODULAR, INC.

Approval Numbers: MT 252784
 Title: Dear John Trailers 8 X 25 Change Room (8'-0" x 21'-0")
 Sheet Description: Production Floor /Electrical Plan Page # AZ

Scale: 1/4" = 1'-0" BB
 Date: 2/20/08 Plot Date: Feb 27, 2008
 Drawing Number: 824
 DWG File Name: DJT825CHRM.dwg

Revision: _____ Date: _____